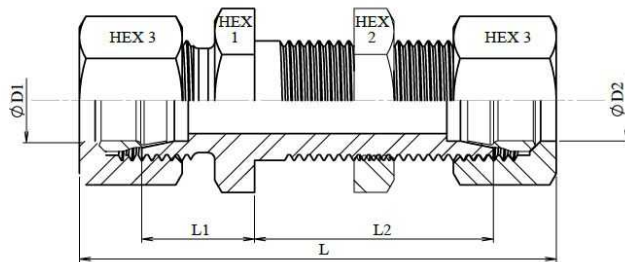
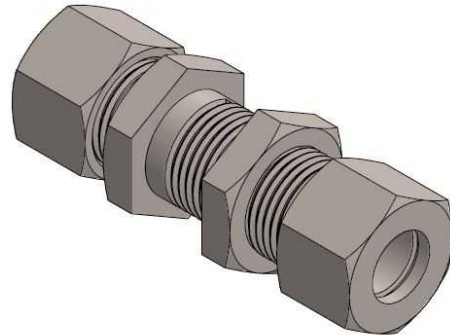


Straight bulkhead coupling

Stainless Steel AISI 316-L



Part n°	ØD1	Serie	Working Pressure (bar)	L	L1	L2	HEX 1	HEX 2	HEX 3
Z SVL 6	6	L	315	64	14	34	17	17	14
Z SVL 8	8	L	315	65	15	34	19	19	17
Z SVL 10	10	L	315	68	17	35	22	22	19
Z SVL 12	12	L	315	69	17	36	24	24	22
Z SVL 15	15	L	315	73	19	38	27	30	27
Z SVL 18	18	L	315	79	21	40	32	36	32
Z SVL 22	22	L	160	84	24	42	36	41	36
Z SVL 28	28	L	160	87	26	43	41	46	41
Z SVL 35	35	L	160	98	29	47	50	55	50
Z SVL 42	42	L	160	101	30	47	60	65	60
Z SVS 6	6	S	630	71	19	36	19	19	17
Z SVS 8	8	S	630	72	20	36	22	22	19
Z SVS 10	10	S	630	77	22	37	24	24	22
Z SVS 12	12	S	630	78	22	38	27	27	24
Z SVS 14	14	S	630	85	24	40	30	30	27
Z SVS 16	16	S	400	85	26	40	32	32	30
Z SVS 20	20	S	400	94	29	44	41	41	36
Z SVS 25	25	S	400	103	31	47	46	46	46
Z SVS 30	30	S	400	112	34	51	50	50	50
Z SVS 38	38	S	315	121	37	53	65	65	60